

BALDOR® • RELIANCE 

Product Information Packet

IDM2333T-5

44M 4P TEBC HOR 256TC T'STAT INV DUTY

Part Detail							
Revision:	-	Status:	PRD/A	Change #:		Proprietary:	No
Type:	AC	Elec. Spec:	09WGT124	CD Diagram:	CD0006	Mfg Plant:	
Mech. Spec:	09T110	Layout:	09LYT110	Poles:	04	Created Date:	03-19-2019
Base:	RG	Eff. Date:	06-27-2019	Leads:	3#12		

Specs			
Catalog Number:	IDM2333T-5	KVA Code:	H
Enclosure:	TEBC	Lifting Lugs:	Standard Lifting Lugs
Frame:	256TC	Locked Bearing Indicator:	Locked Bearing
Frame Material:	Iron	Motor Lead Quantity/Wire Size:	3 @ 12 AWG
Output @ Frequency:	15.000 HP @ 60 HZ	Motor Lead Exit:	Ko Box
Synchronous Speed @ Frequency:	1800 RPM @ 60 HZ	Motor Lead Termination:	Flying Leads
Voltage @ Frequency:	575.0 V @ 60 HZ	Motor Type:	0944M
XP Class and Group:	None	Mounting Arrangement:	F1
XP Division:	Not Applicable	Power Factor:	83
Agency Approvals:	UR	Product Family:	General Purpose
	CSA	Pulley End Bearing Type:	Ball
Auxillary Box:	No Auxillary Box	Pulley Face Code:	C-Face
Auxillary Box Lead Termination:	None	Pulley Shaft Indicator:	Standard
Base Indicator:	Rigid	Rodent Screen:	None
Bearing Grease Type:	Polyrex EM (-20F +300F)	RoHS Status:	ROHS COMPLIANT
Blower:	BLOWER	Shaft Extension Location:	Pulley End
Current @ Voltage:	14.600 A @ 575.0 V	Shaft Ground Indicator:	No Shaft Grounding
Design Code:	A	Shaft Rotation:	Reversible

Drip Cover:	No Drip Cover	Shaft Slinger Indicator:	Shaft Slinger
Duty Rating:	CONT	Speed Code:	Single Speed
Electrically Isolated Bearing:	Not Electrically Isolated	Motor Standards:	NEMA
Feedback Device:	NO FEEDBACK	Starting Method:	Direct on line
Front Face Code:	Encoder/Feedback Device	Thermal Device - Bearing:	None
Front Shaft Indicator:	None	Thermal Device - Winding:	Normally Closed Thermostat
Heater Indicator:	No Heater	Vibration Sensor Indicator:	No Vibration Sensor
Insulation Class:	H	Winding Thermal 1:	None
Inverter Code:	Inverter Duty	Winding Thermal 2:	None

Nameplate NP1163L						
CAT NO	IDM2333T-5					
SPEC.	09T110T124G1					
FRAME	256TC	HP	15	TE		
VOLTS	575					
MAG CUR	6.1	FLA	14.6			
RPM	1765	RPM MAX	5000			
HZ	60	PH	3	CLASS	H	
SER.F.	1.00	DES	A	SL HZ	1.2	
NEMA-NOM-EFF	92.4	WK2	1.93			
BLWR V		PH		HZ		A
RATING	40C AMB-CONT					
DE BRG	6309	ODE BRG	6208			
CC	010A	SN				

Parts List		
Part Number	Description	Quantity
SA371181	SA 09T110T124G1	1.000 EA
RA360861	RA 09T110T124G1	1.000 EA
HW1002A63	0ASHER, 5/8 HI-COLLAR SPRLCKWASHER	1.000 EA
09CB3002SP	CB W/1.38 LEAD HOLE FOR 37, 39, 307 & 30	1.000 EA
09GS1000SP	GASKET-CONDUIT BOX, 1/16 THICK LEXIDE	1.000 EA
10XN2520K12	1/4-20 X.75 GRD 5	2.000 EA
HW1001A25	LOCKWASHER 1/4, ZINC PLT .493 OD, .255 I	2.000 EA
WD1000B16	T&B CX70TN OR L70P TERMINAL LUG	1.000 EA
59XW2520G07	.25-20X.44,HEX SER WSHR,TAPTITE 2,GREEN	1.000 EA
09EP1100A74	FR. E.P. TEBC/TENV W/THRU SHAFT ENCODER	1.000 EA
XY3816A12	3/8-16 FINISHED NUT	4.000 EA
HW1001A38	LOCKWASHER 3/8, ZINC PLT .688 OD, .382 I	4.000 EA
HA1005A12	SLINGER, OD 2.50, ID 1.433, 208 BRG	1.000 EA
10XN2520K12	1/4-20 X.75 GRD 5	1.000 EA
HW1001A25	LOCKWASHER 1/4, ZINC PLT .493 OD, .255 I	1.000 EA
HW5100A08	W3118-035 WVY WSHR (WB)	1.000 EA
10XN2520K28	1/4-20 X 1.75" HX HD SCRWGRADE 5, ZINC P	2.000 EA
HW1001A25	LOCKWASHER 1/4, ZINC PLT .493 OD, .255 I	2.000 EA
10XN2520K36	1/4-20 X 2.25" HX HD SCRWGRADE 5, ZINC P	4.000 EA
HW1001A25	LOCKWASHER 1/4, ZINC PLT .493 OD, .255 I	4.000 EA
09EP1300A12	ENDPLATE, MACH	1.000 EA
HW4600B44	V-RING SLINGER 1.500 X 1.810 X .28 VITON	1.000 EA
HA3113A01	THRUBOLT 3/8-16X14.875	4.000 EA
HW1001A38	LOCKWASHER 3/8, ZINC PLT .688 OD, .382 I	4.000 EA

Parts List (continued)		
Part Number	Description	Quantity
09CB3501SP	CONDUIT BOX LID FOR 09CB3001 & 09CB3002	1.000 EA
09GS1013SP	09 GS FOR 09CB3501 LID - LEXIDE	1.000 EA
51XW2520A12	.25-20 X .75, TAPTITE II, HEX WSHR SLTD	2.000 EA
HW2501G25	KEY, 3/8 SQ X 2.875	1.000 EA
LB1115N	LABEL,LIFTING DEVICE (ON ROLLS)	1.000 EA
HW4500A05	1669B ALEM/UNIV860 GR FTG X	1.000 EA
HA4051A00	PLASTIC CAP FOR GREASE FITTING	1.000 EA
HW4500A17	317400 ALEMITE GREASE RELIEF	1.000 EA
HA4054	SHORT T-DRAIN FITTING, .125" N.P.T.	1.000 EA
MJ1000A02	GREASE, MOBIL POLYREX EM - 124047	0.080 LB
HW4500A03	GREASE FITTING, .125 NPT 1610(ALEMITE) 8	1.000 EA
HA4051A00	PLASTIC CAP FOR GREASE FITTING	1.000 EA
HW4500A17	317400 ALEMITE GREASE RELIEF	1.000 EA
HA4054	SHORT T-DRAIN FITTING, .125" N.P.T.	1.000 EA
09FH5100A01SP	309 BLOWER ASSY. (09FH4016 & EF5101)	1.000 EA
WD4101A08	STIMPSON #D3557,1.188 DIA. HOLE PLUG	1.000 EA
MG1000G27	MED CHARCOAL METALLIC GREY 400-0096	0.050 GA
85XU0407S04	4X1/4 U DRIVE PIN STAINLESS	2.000 EA
LB1119N	WARNING LABEL	1.000 EA
LC0006	CONNECTION LABEL	1.000 EA
NP1163L	ALUM INV UL CSA CC	1.000 EA
42PA1010	PACKAGING GROUP, PRINT PK1151A06	1.000 EA
MN416A01	TAG-INSTAL-MAINT no wire (1200/bx) 3/19	1.000 EA

AC Induction Motor Performance Data

Record # 55489 - Typical performance - not guaranteed values

Winding: 09WGT124-R011	Type: 0944M	Enclosure: TEBC
-------------------------------	--------------------	------------------------

Nameplate Data				575 V, 60 Hz: Single Voltage Motor	
Rated Output (HP)	15			Full Load Torque	44.5 LB-FT
Volts	575			Start Configuration	direct on line
Full Load Amps	14.6			Breakdown Torque	153 LB-FT
R.P.M.	1765			Pull-up Torque	69.5 LB-FT
Hz	60	Phase	3	Locked-rotor Torque	86.5 LB-FT
NEMA Design Code	A	KVA Code	H	Starting Current	102 A
Service Factor (S.F.)	1			No-load Current	6.05 A
NEMA Nom. Eff.	92.4	Power Factor	83	Line-line Res. @ 25°C	0.874 Ω
Rating - Duty	40C AMB-CONT			Temp. Rise @ Rated Load	54°C
				Locked-rotor Power Factor	33.1
				Rotor inertia	1.92 LB-FT ²

Load Characteristics 575 V, 60 Hz, 15 HP

% of Rated Load	25	50	75	100	125	150
Power Factor	45	69	78	83	85	87
Efficiency	88.1	92.3	92.6	92.4	91.5	90.5
Speed	1791	1783	1774	1765	1755	1743
Line amperes	6.9	8.8	11.6	14.6	18.1	21.5

Performance Graph at 575V, 60Hz, 15.0HP Typical performance - Not guaranteed values

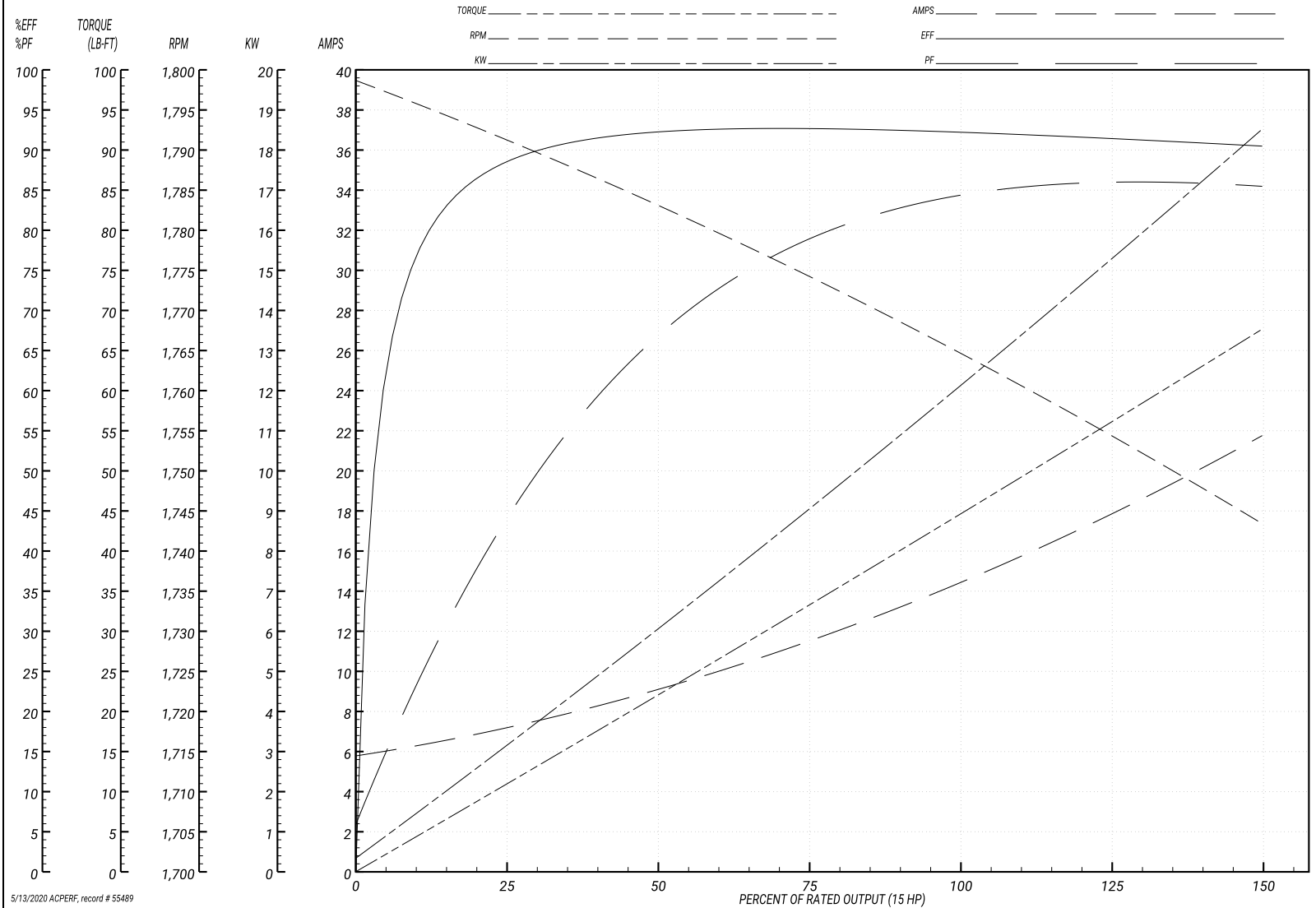
ABB Motors and Mechanical Inc.

WINDING # 09WGT124

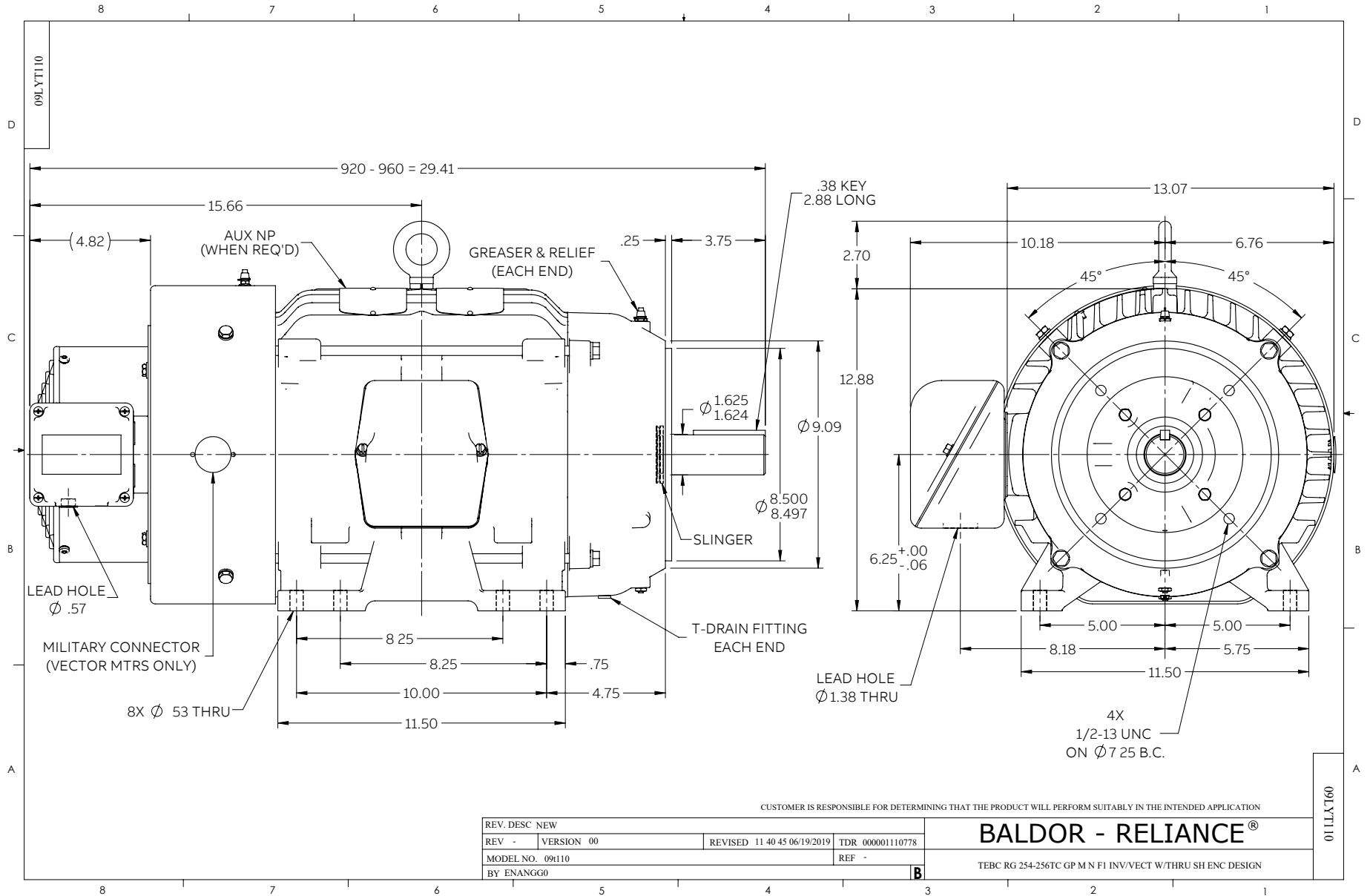
Typical performance - not guaranteed values.

15 HP 3 PH 60 HZ 1765 RPM 575 V 0944M

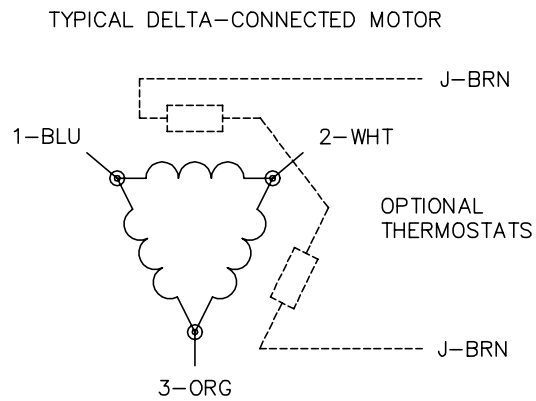
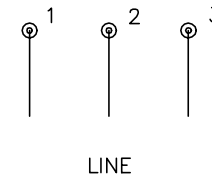
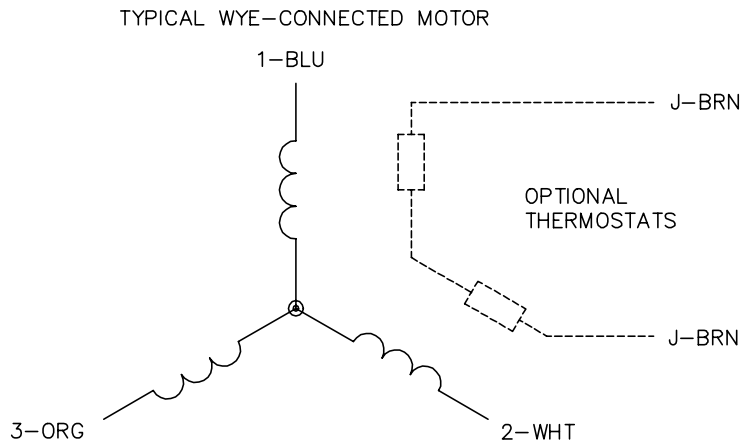
TORQUES(LB-FT): PO=153 PU=69.5 LR=86.5 LRA=102



5/13/2020 ACPERF, record # 55489



CD0006



NOTES:

1. THREE LEAD MOTOR MAY BE EITHER WYE CONNECTED OR DELTA CONNECTED.
2. INTERCHANGE ANY TWO LINE LEADS TO REVERSE ROTATION.
3. OPTIONAL THERMOSTATS ARE PROVIDED WHEN SPECIFIED.
4. ACTUAL NUMBER OF INTERNAL PARALLEL CIRCUITS MAY VARY.
5. LEAD COLORS ARE OPTIONAL. LEADS MUST BE NUMBERED AS SHOWN.

CD0006

REV. DESC: ADD CLASS CONN00000007		
REV. LTR: E	VERSION: 01	TDR: 000001099922
FILE: \AAA\00005\141	REVISED: 10:24:49 02/19/2019	BY: ENBRIRO
MTL: -	© □	

BALDOR - RELIANCE®

3PH, SV, 3 LEADS, WYE OR DELTA CONNECTED

SH 1 of 1

Marketing maintained PDF of MN416:

<http://www.baldor.com/support/Literature/Load.ashx/MN416?ManNumber=MN416>